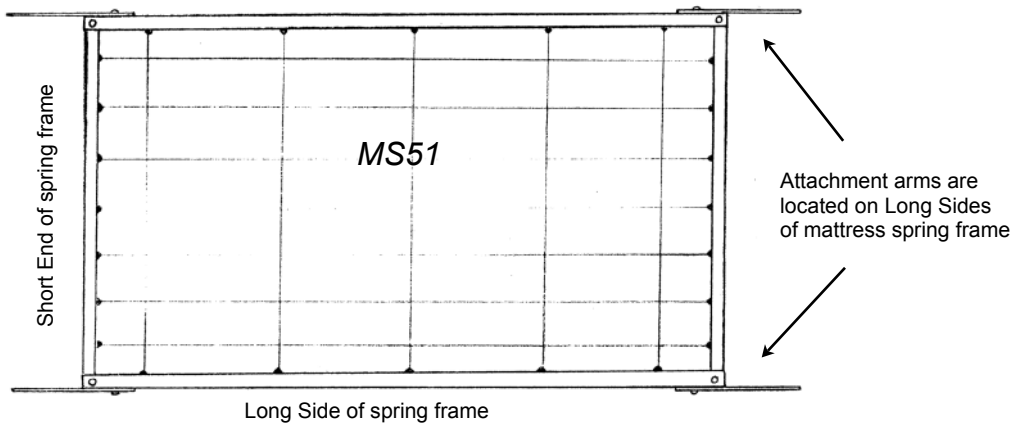




Products America
MS51 Mattress Spring
 Side Bolt Arm Attachment
 800.205.9642 or 731.586.2100



Short End of Crib

Long Side of spring frame

Appearance of mattress spring frame when installed into crib

HB65

Attachment arms may bolt to height adjustment brackets such as the HB65

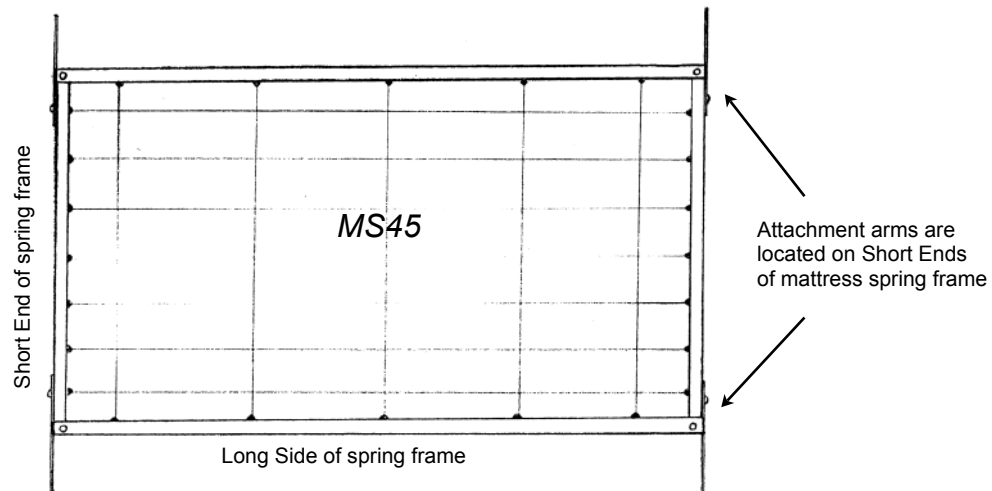
MS965

Typical machine screw (bolt) used to bolt attachment arms to crib

Height selection holes with inserts to receive mattress spring attachment arm bolt



Products America
MS45 Mattress Spring
 End Bolt Arm Attachment
 800.205.9642 or 731.586.2100



Short End of Crib

Long Side of spring frame

Appearance of mattress spring frame when installed into crib

HB65

Attachment arms may bolt to height adjustment brackets such as the HB65

MS965

Typical machine screw (bolt) used to bolt attachment arms to crib

Height selection holes with inserts to receive mattress spring attachment arm bolt